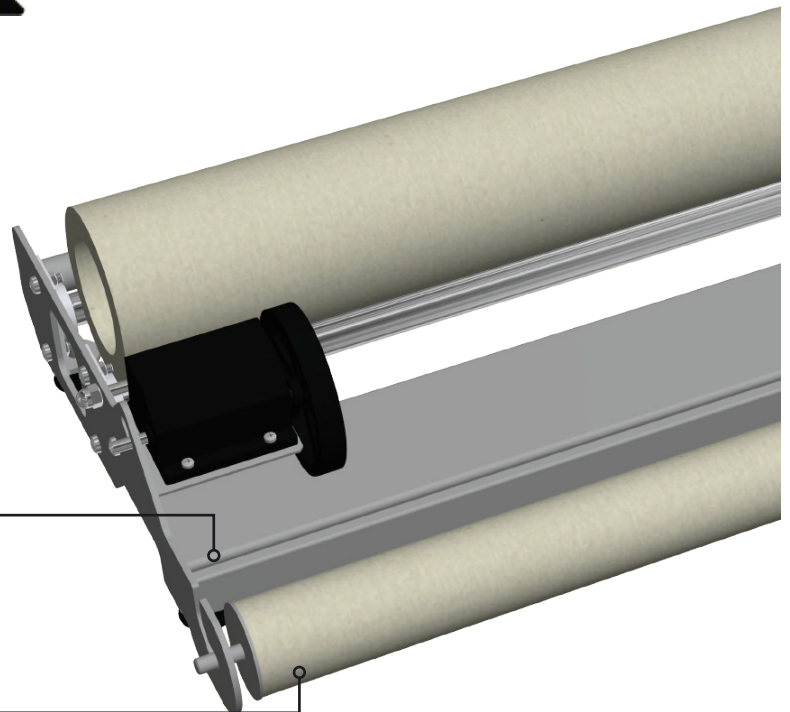


Place the sealing membrane as shown directions.



Measure the desired length and use the open cut for the incision.

Removable spool.